

HEXA BLADE ^{new}

Economical 6 corner tool for precision cutting process

Features

- Six corners are available in one insert, providing high economic feasibility.
- M-chip breakers are available in a variety of processes and have excellent chip evacuation.
- High processing reliability due to excellent dimensional deviation between corners with precision grinding process.
- Wide side-tightening area and stable tightening system to prevent chattering during processing.

Hexa Blade Feature

M Chipbreaker

- Parting / Grooving
- Excellent chip evacuation
- Good performance in high feed machining

precision grinding edge

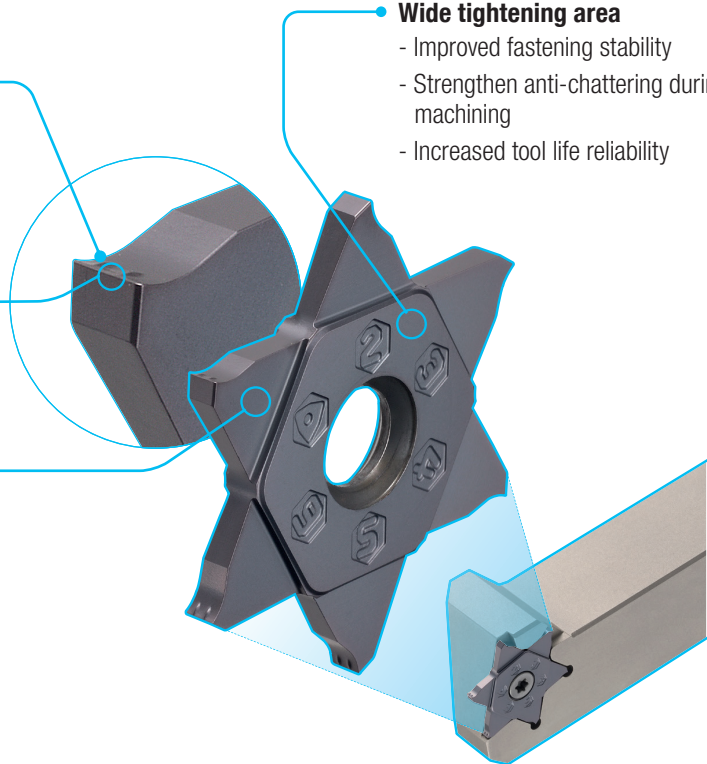
- Excellent dimensional quality
- Uniform cutting performance

6 corners

- 6 corners are available in 1 insert
- High economic feasibility

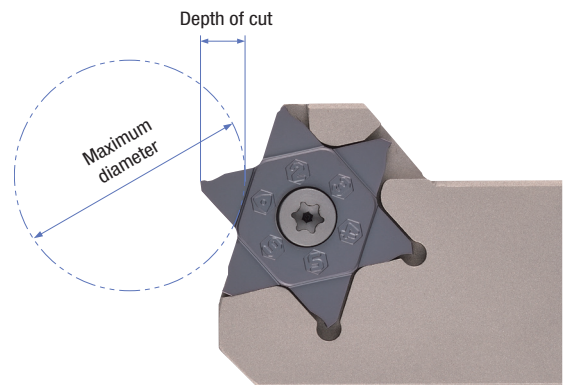
Wide tightening area

- Improved fastening stability
- Strengthen anti-chattering during machining
- Increased tool life reliability



Maximum machining diameter of the workpiece according to the depth of cut

Category	Maximum machining diameter of the workpiece according to the depth of cut						
Depth of cut (mm)	5,0	4,5	4,0	3,5	3,0	2,5	2,0
Maximum diameter (Ø)	<30	< 58	< 89	< 109	< 147	< 200	∞



HEXA BLADE - available from December 2022